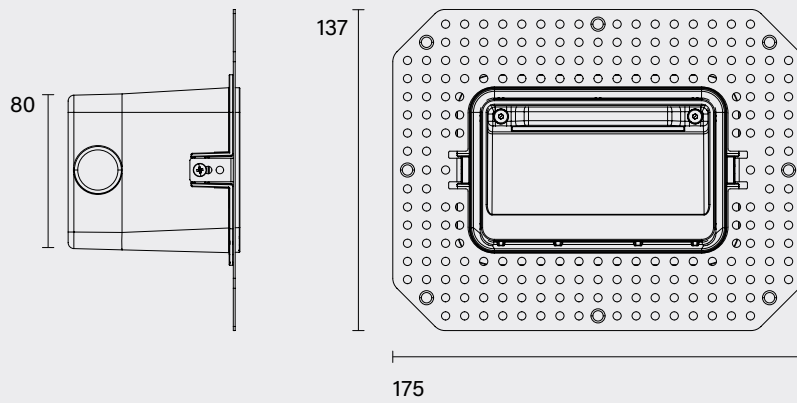


102 10 4000--...
Fade 100 Trimless Floor Washer Type 1

Cut-out
85mm x 125mm x 75mm Depth

3W 24V-DC
Class III
IP65

Separate LED Power Supply 24V-DC

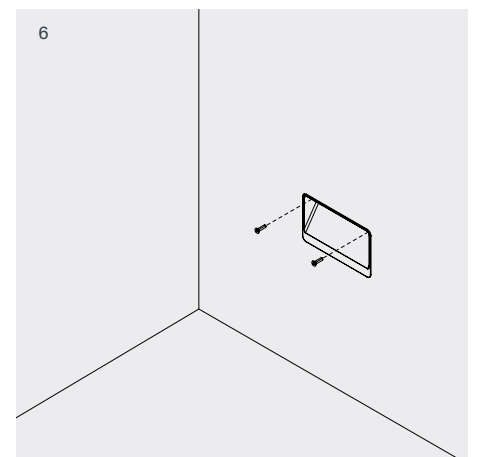
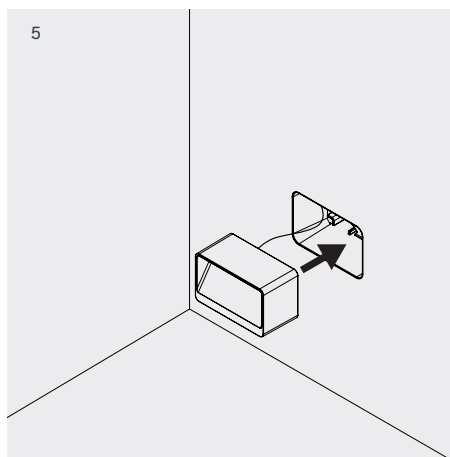
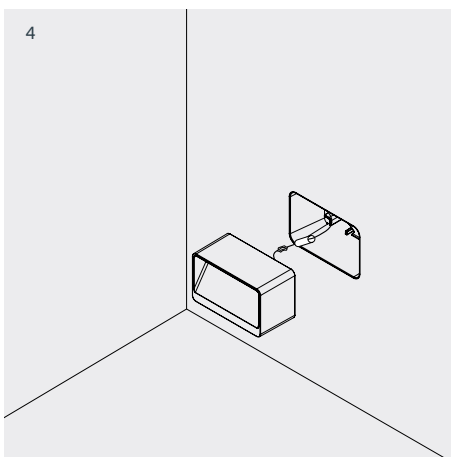
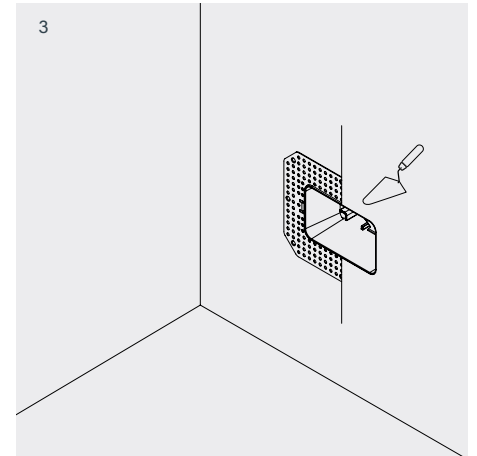
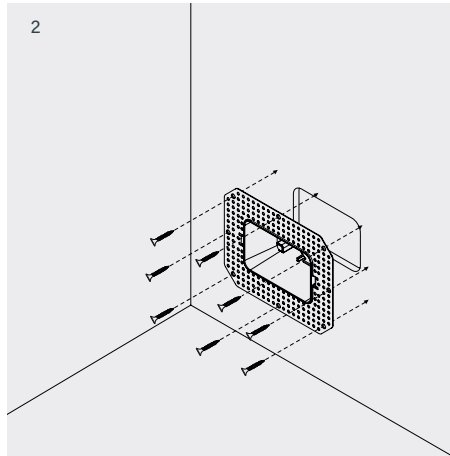
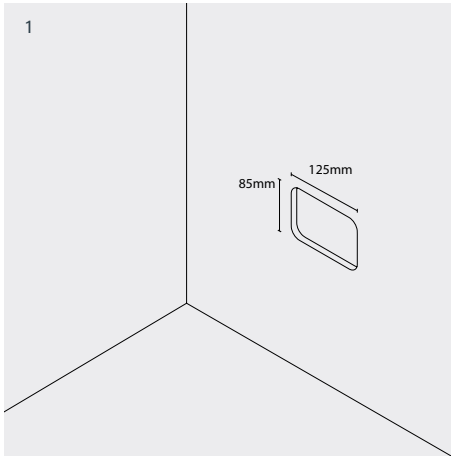


102 10 4000--...
 Fade 100 Trimless Floor Washer Type 1

3W 24V-DC
 Class III
 IP65

Cut-out
 85mm x 125mm x 75mm Depth

Separate LED Power Supply 24V-DC



Installation

- 1 Cut mounting hole
- 2 Screw mesh into mounting surface
- 3 Plaster/render to beading edge of installation kit
- 4 Terminate fitting to 24V cable supply
- 5 Mount fitting to installation kit by ensuring that fixation detail on back of fitting is held by bracket inside kit
- 6 Fix fitting to kit with screws provided